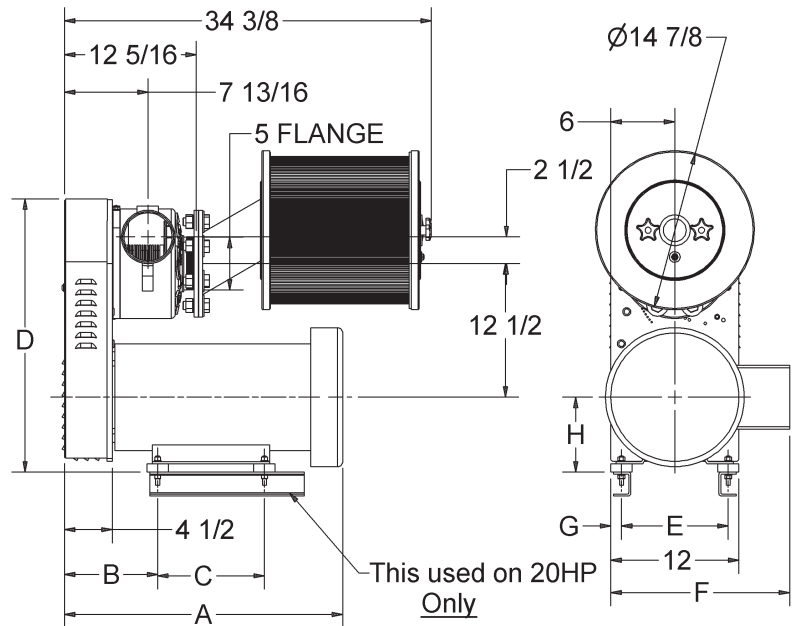




REPUBLIC
Blower Systems®



Republic Centrifugal Blower **RB 2000**



RB 2000 Specifications

- ▲ 20-30 Horsepower – Up to 20,000 RPM
- ▲ Most Versatile, Providing Local Mounting
- ▲ Ceramic Hybrid Bearings
- ▲ Multi-lip Seals on Both Ends of the Shaft
- ▲ Easy to Remove Bearing/Impeller Housing for Quick Repair
- ▲ Hard Anodized (optional)
- ▲ Blower Outlet Discharge is Rotatable 360°
- ▲ Precision Balanced Shaft/Impeller Assemblies
- ▲ Zinc Plated Steel Motor Pulley
- ▲ Stainless Steel Blower Pulley
- ▲ Aluminum Blower Housing
- ▲ 6061 T6 Aluminum Impeller
- ▲ Bearing Housing is Steel Construction for Extra Rigidity
- ▲ 16 Groove Belt for Long Life
- ▲ Inlet and Outlet Flanges Available
- ▲ Enclosures for Noise Control (optional)
- ▲ Exhaust Silencer (optional)
- ▲ Operational with all Types of Motors– Washdown, Explosion Proof, High Efficiency and Hydraulic
- ▲ 100% Operational Performance and Vibration Tested
- ▲ One Year Warranty
- ▲ Water-cooled Blower Available
- ▲ 5" Discharge

HP	A	B	C	D	E	F	G	H
20 (256TC)	24.13	8 3/4	10	24 7/8	10	15 5/8	1	7
25 (284TSC)	26.23	9 1/4	9 1/2	24 7/8	10	19 1/8	1/2	7
30 (286TSC)	30.13	10 7/8	11	25 1/2	11	18 1/4	3/4	7

HP	Est. WGT. (lbs)
20 (256TC)	348
25 (284TSC)	440
30 (286TSC)	440

Retro Kit Est. WGT. (lbs)	79
---------------------------	----



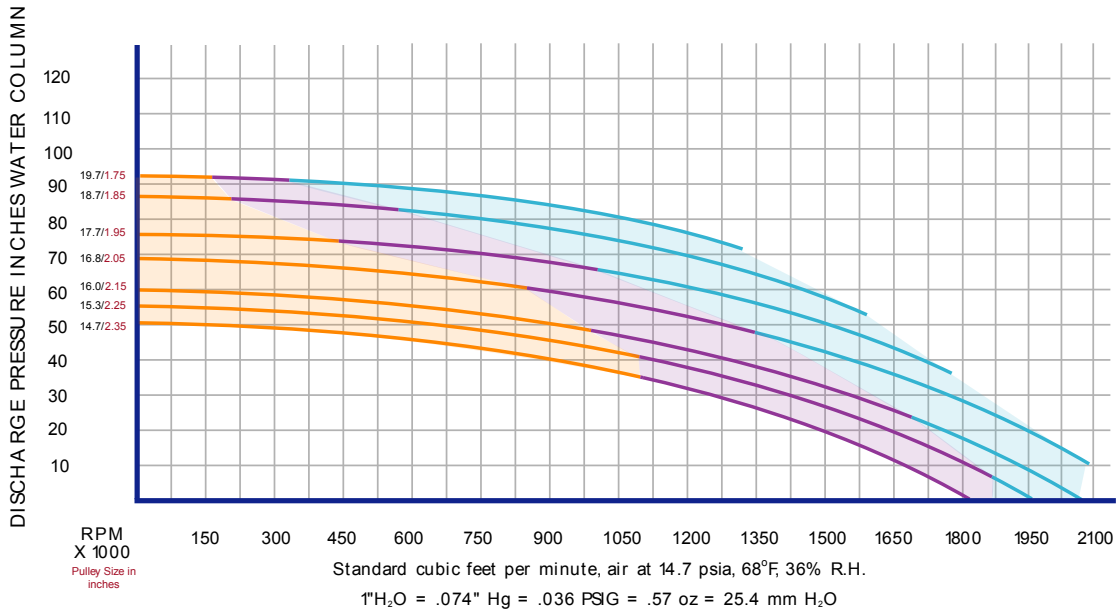
Republic Centrifugal Blower Performance Curves

REPUBLIC

Blower Systems®

Pressure vs. CFM

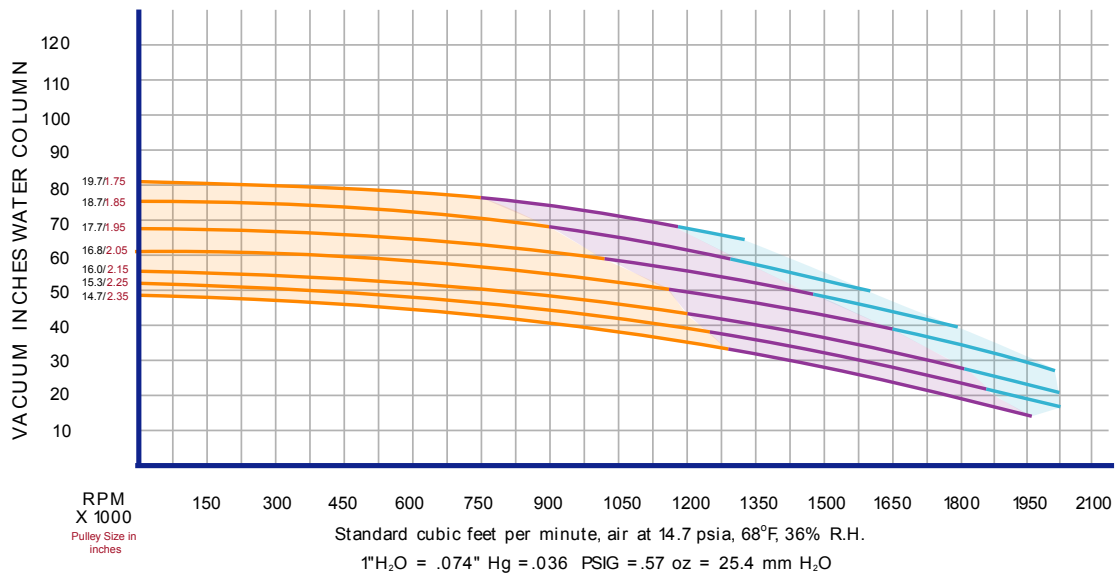
RB 2000/20-30 HP



■ RB 2000-20 HP
 ■ RB 2000-25 HP
 ■ RB 2000-30 HP

Vacuum vs. CFM

RB 2000/20-30 HP



■ RB 2000-20 HP
 ■ RB 2000-25 HP
 ■ RB 2000-30 HP

5131 Cash Road ▲ Dallas, TX 75247 ▲ P 214.631.8070 ▲ F 214.631.3673 ▲ 800.847.0380

www.republicsales.com

©2007 Republic Sales & Manufacturing
 Modified 11.07
 280-0076