

Republic offers a complete line of centrifugal blowers for vacuum or compressed air applications. Centrifugal blowers provide dry, clean, oil-free air and require low energy consumption. Unlike compressed air systems, this series is safe to run at low pressure, and allows for increased production speeds or levels.

The RB2000 is the most versatile of the centrifugal blower series. The blower comes with ceramic hybrid bearings, 360 degree rotatable outlet discharge, easy to remove stainless steel bearing housing assembly, and zinc plated steel motor pulley.

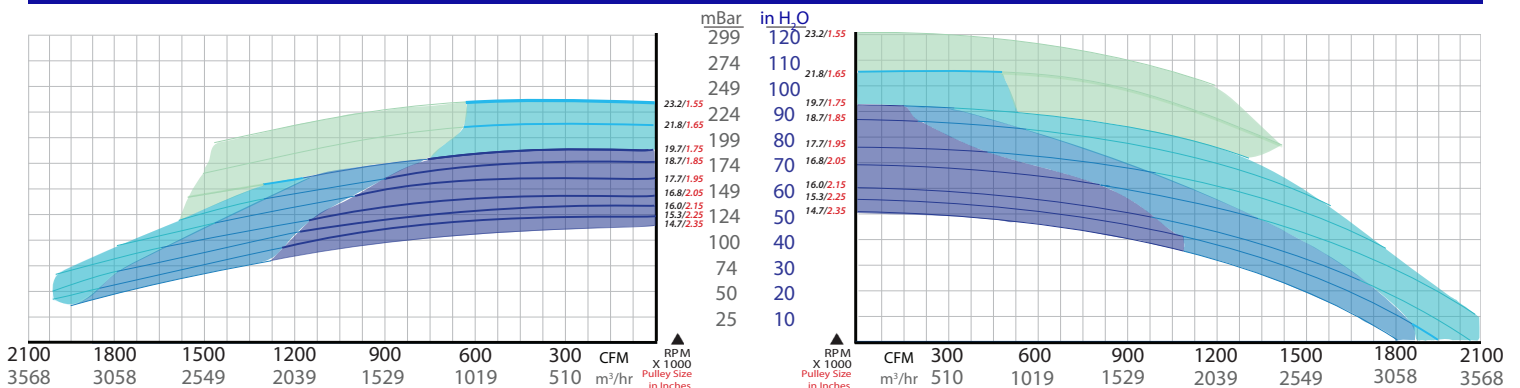


PERFORMANCE

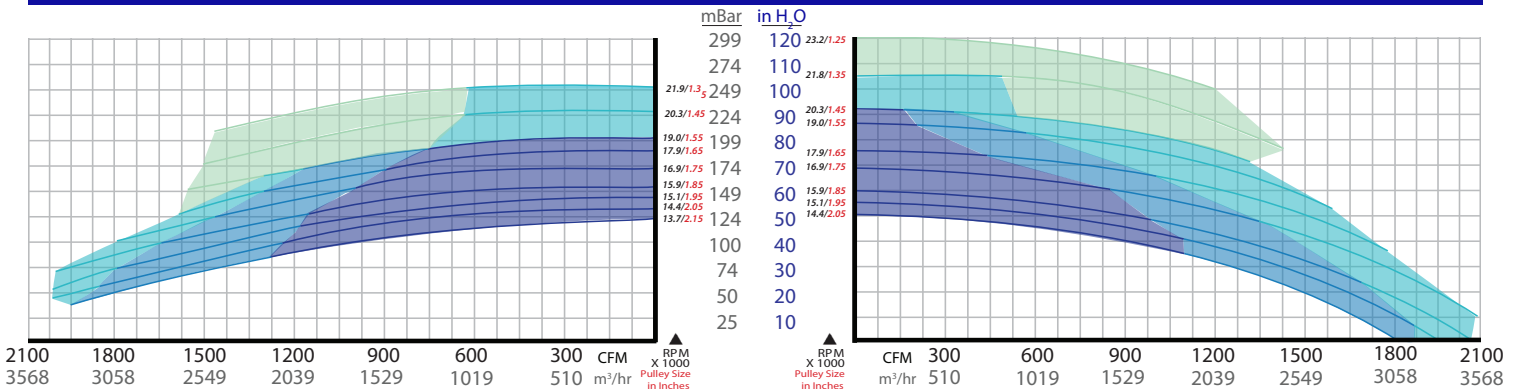
Vacuum

Pressure

60Hz



50Hz

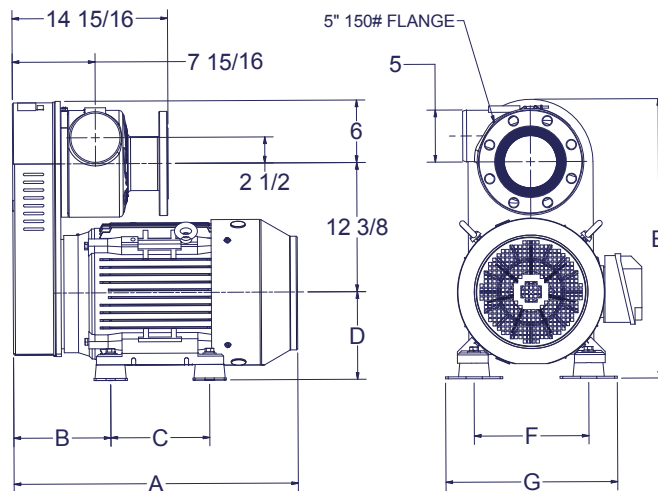


Standard cubic feet per minute, air at 14.7 PSIA, 68°F, 36% R.H.
 $1''\text{H}_2\text{O}=0.074''\text{Hg}=0.036\text{PSIG}=0.57\text{oz}=25.4\text{mm H}_2\text{O}$

■ 20HP ■ 25HP ■ 30HP ■ 40HP

| Model | Frequency (Hz) | HP | Max Flow (CFM/m³/hr) | Max Vacuum (in. H₂O/mbar) | Max Pressure (in. H₂O/mbar) | Sound Level (db) with Enclosure/without Enclosure | Weight (lb/kg) | Retro Kit Weight (lb/kg) |
|--------|----------------|-------------|----------------------|---------------------------|-----------------------------|---|----------------|--------------------------|
| RB2000 | 50 | 20 (256TC) | 1275/2166 | 80/199 | 93/232 | 82/96 | 348/158 | 79/36 |
| | 60 | | 1275/2166 | 75/87 | 93/232 | | | |
| | 50 | 25 (284TSC) | 1950/3313 | 75/187 | 93/232 | 82/96 | 440/200 | |
| | 60 | | 1950/3313 | 72/179 | 93/232 | | | |
| | 50 | 30 (286TSC) | 2100/3568 | 100/249 | 105/262 | 82/96 | 440/200 | |
| | 60 | | 2100/3568 | 100/249 | 105/262 | | | |
| | 50 | 40 (324TC) | 1575/2676 | 100/249 | 116/289 | 82/96 | 440/200 | |
| | 60 | | 1425/2421 | 100/249 | 120/299 | | | |

APPROXIMATE DIMENSIONS



| HP | Unit | A | B | C | D | E | F | G |
|----------------|------|-------|-------|-------|------|-------|-------|-------|
| 20 (256TC) | in | 26.06 | 9.13 | 10.00 | 9.25 | 27.75 | 10.00 | 11.50 |
| | mm | 662 | 232 | 254 | 235 | 705 | 254 | 292 |
| 25 (284TSC) | in | 27.31 | 9.31 | 9.50 | 8.50 | 26.81 | 11.00 | 16.50 |
| | mm | 694 | 236 | 241 | 216 | 681 | 279 | 419 |
| 30 (286TSC) | in | 28.88 | 9.31 | 11.00 | 8.50 | 26.81 | 11.00 | 16.50 |
| | mm | 734 | 236 | 279 | 216 | 681 | 279 | 419 |
| 40 (324TSC) | in | 29.78 | 10.13 | 10.50 | 9.50 | 28.00 | 12.50 | 18.00 |
| | mm | 756 | 257 | 267 | 241 | 711 | 318 | 457 |

Available Options

Republic Centrifugal Blowers are made to order, and can be customized to fit almost any application. Many common options and accessories are listed below. For additional options, please contact Republic or your local distributor.

Advantages

- 20-40 Horsepower – up to 23,200 rpm
- 16 Groove belt for long life
- Most versatile blower
- Ceramic hybrid bearings
- Multi-lip seals on both ends of the shaft
- Easy to remove bearing/impeller housing for quick repair
- Blower outlet discharge is rotatable
- Precision balanced shaft/impeller assemblies
- Stainless steel blower pulley, zinc plated steel motor pulley, aluminum blower housing
- 6061 T6 aluminum impeller
- Bearing housing is steel construction for extra rigidity
- Operational with all types of motors– washdown, explosion proof, high efficiency and hydraulic
- 100% Operational performance and vibration tested
- One year warranty

Options

- Hard anodized bearing housing assembly
- Inlet and outlet flange
- Water-cooled blower

Accessories

- Enclosures for noise control
- Exhaust silencer
- Starter panel
- Variable frequency drive