

SKORPION™ Air Heater

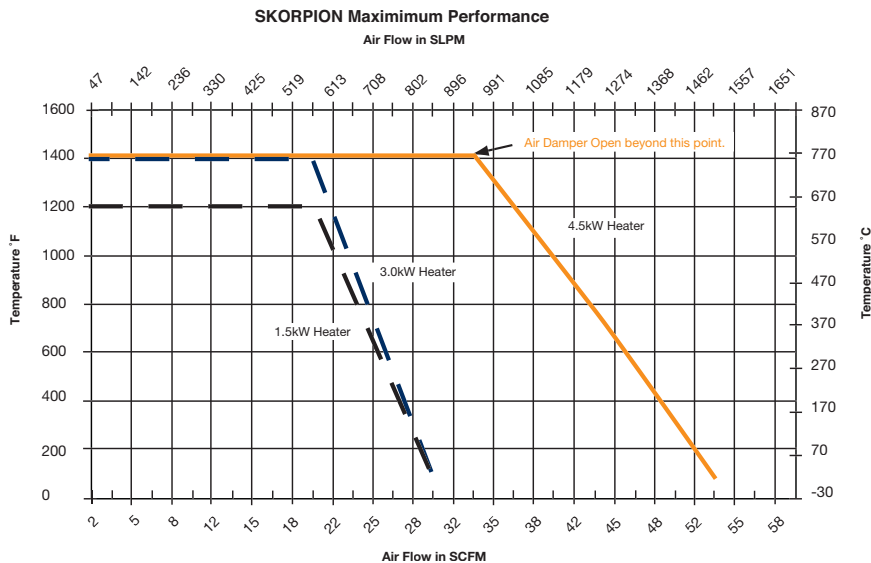


Specifications

- Air temperature controllable to 1400°F (760°C)
- Power ratings 1.5kW – 4.5kW
120/230 - 1φ
- Complete heater including blower and control unit that is ready to plug in and use
- Convenient digital display shows current operating temperature
- Built in over-temperature protection and a two-year limited warranty
- Models also available without blower for use with customer supplied air source
 - Maximum inlet temperature 200°F (93°C)
 - Recommended minimum airflow 2 SCFM
- RoHS compliant

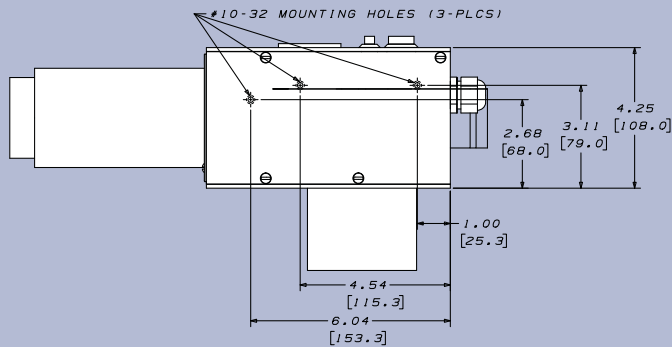
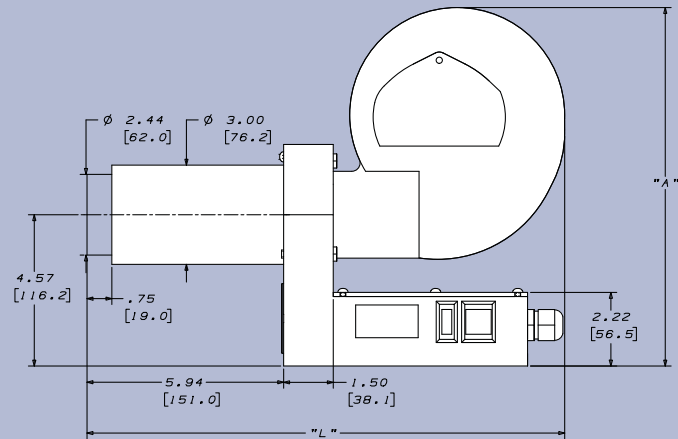


Performance



* Air Temperature as measured by internal Type K thermocouple.

Installation



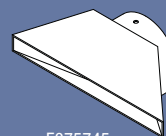
Products

Part Number	Description	Max. Watts	Max. Volts	Max. Amps	Height "A"	Height "B"
075615	SKORPION™ air heater	1.5kW	120 - 1 ϕ	12.5A	9.18"	13.58"
075616	SKORPION air heater	3.0kW	230 - 1 ϕ	12.5A	9.18"	13.58"
076008	SKORPION air heater	4.5kW	230 - 1 ϕ	20.0A	10.84"	14.44"
075869	SKORPION air heater without blower	1.5kW	120 - 1 ϕ	12.5A		
075835	SKORPION air heater without blower	3.0kW	230 - 1 ϕ	12.5A		
076029	SKORPION air heater without blower	4.5kW	230 - 1 ϕ	20.0A		

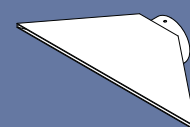
Accessories



F075744



F075745



F075746

Part Number	Description	
075744	High flow nozzle	21mm (1") diameter opening – slip-on mount with set screw
075745	Standard flare	150mm x 12mm (6" x 0.5") opening – slip-on mount with set screw
075746	Wide flare	300mm x 4mm (12" x 0.16") opening – slip-on mount with set screw