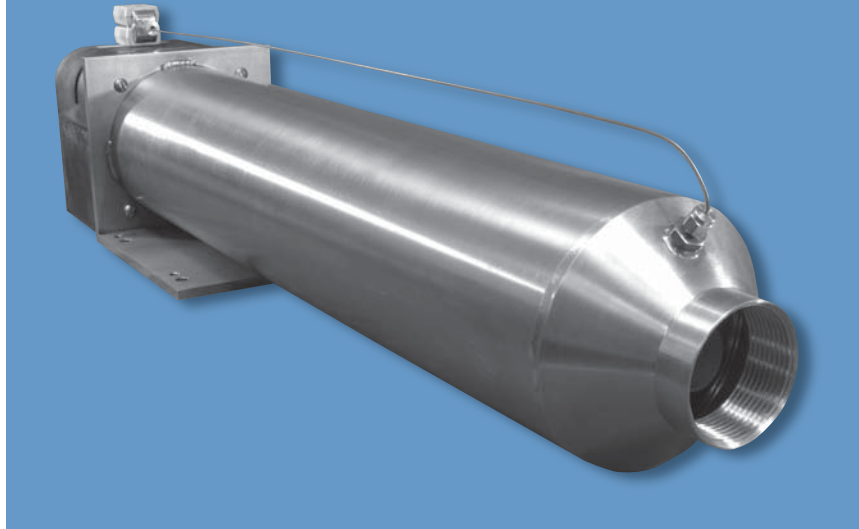


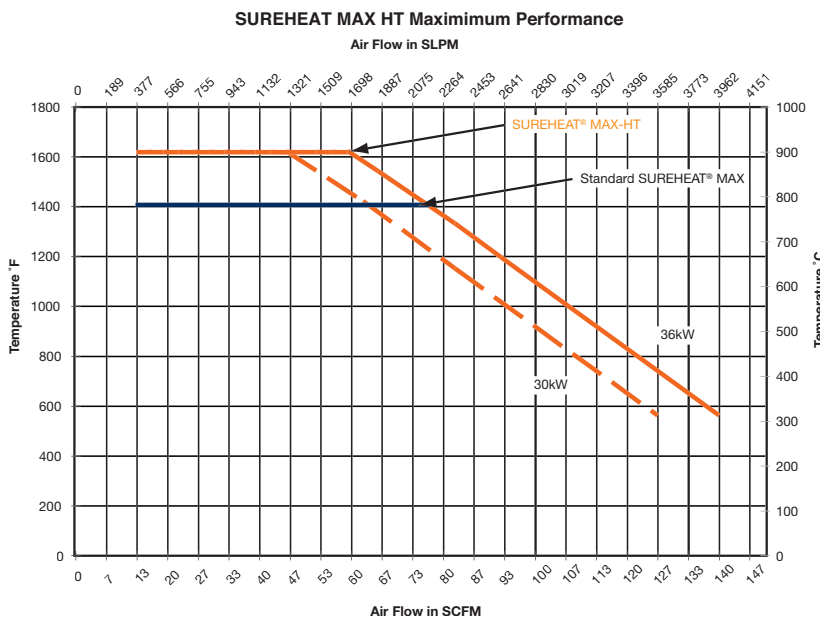
SUREHEAT® MAX HT Air Heater



Specifications

- Specially constructed SUREHEAT MAX air heater for heating air and inert gases to 900°C (1652°F)
- For applications demanding extremely high temperature including automotive sensors, diesel filter regeneration, thermal stress conditioning, general R&D, etc.
- Two (2) current models available:
 - 30kW 380V - 3 ϕ 45.6A (P/N F076189)
 - 36kW 480V - 3 ϕ 43.4A (P/N F076197)
 - Custom sizes available upon request
- One (1) dual exposed junction, Type K thermocouple probe included for precision control and over-temperature protection.
- Recommended minimum airflow 12 SCFM (340 SLPM)
- RoHS compliant

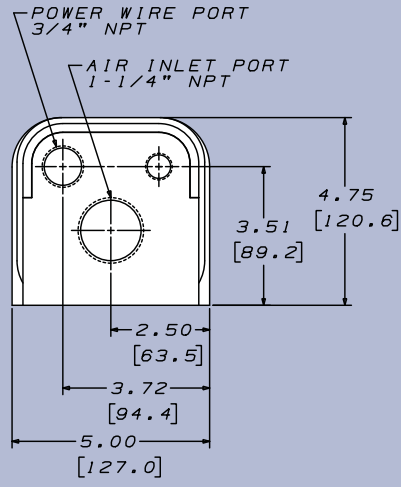
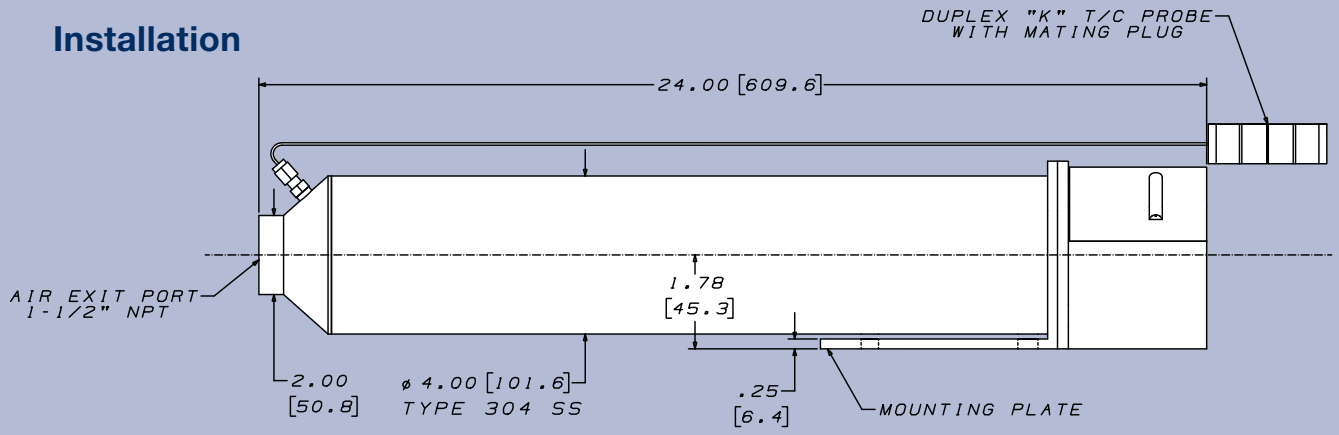
Performance



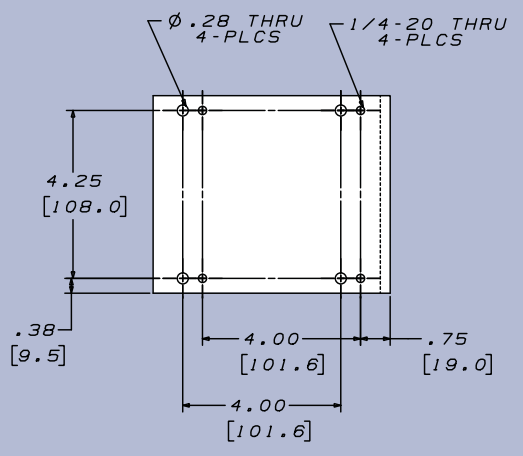
* Temperature as measured by internal Type K thermocouple.



Installation



REAR VIEW



MOUNTING PLATE VIEW